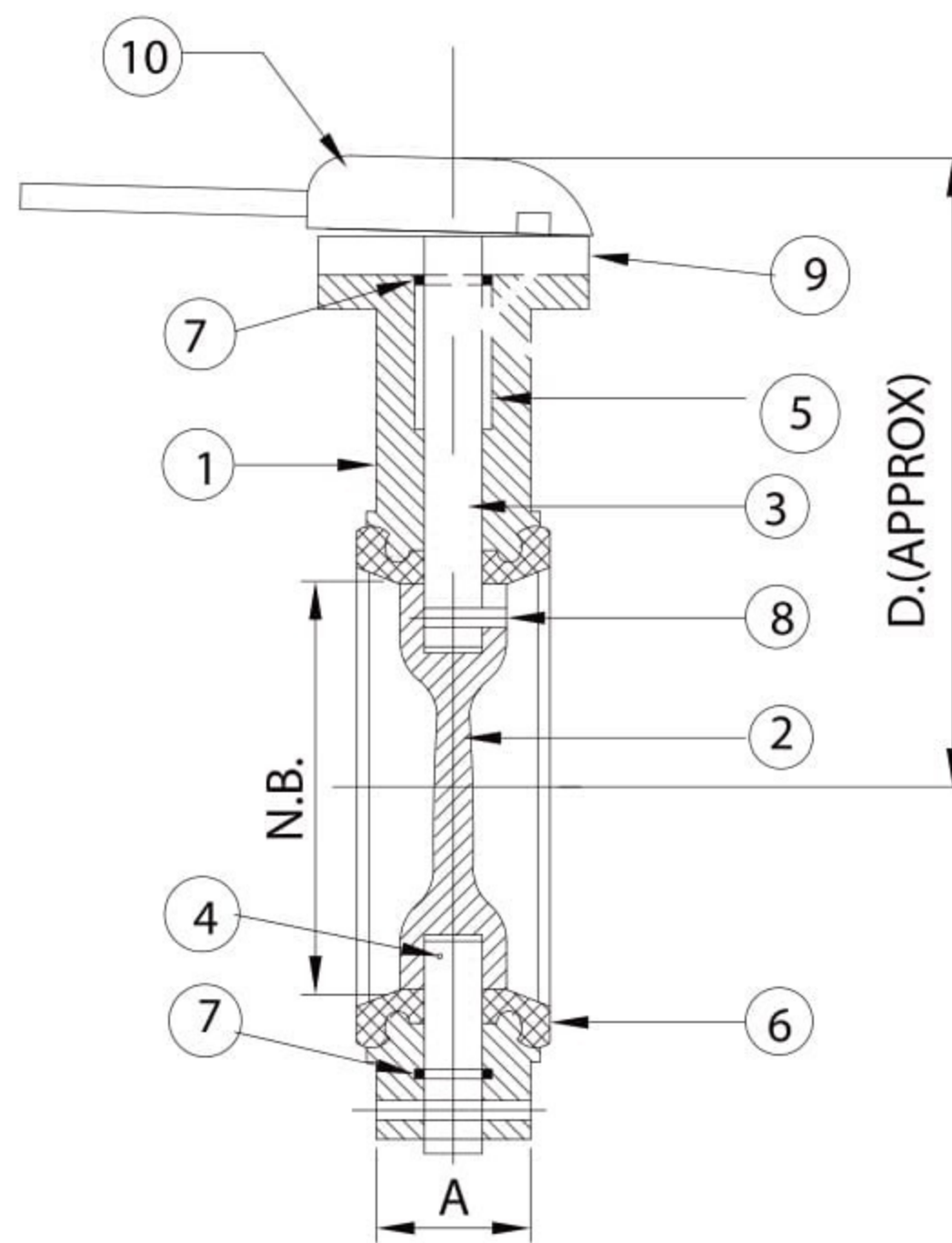


## Technical Specifications - CAST IRON BUTTERFLY VALVES (Wafer Type)

<b>Type of Valve</b>	Short Body, Wafer Type, Resilient Seated	
<b>Materials of Construction:</b>		
a. A. Body	CI to IS 210 Gr. Fg 200/260	
b. Disc	CI to IS 210 Gr. Fg 200/260	
c. Drive Shaft	SS 410	
d. Stub Shaft	SS 410	
e. Shaft Bearing ( Bush)	Bronze to 318 LTB 2	
f. Body Seat	Nitrile Rubber or Bronze or Stainless Steel	
g. Shaft Seal' O ' Ring	Nitrile Rubber	
h. Disc Screw	SS 304.	
i. Indicating Plate	MS CI to IS 2062 Gr A	
j. Lever	MS CI to IS 2062 Gr A	
k. Hand Wheel	CI to IS 210 Gr. Fg 200	
<b>Design</b>	BS:5155 / IS 13095 / BSEN 593	
<b>Dimension</b>		
• Face-to-Face	BS:5155 / IS 13095	
• Ends	Suitable for mounting between flanges	
<b>Hydraulic test pressure:</b>		
• Rating	PN 10 / 1.0	PN 16 / 1.6
• Body	15 Kg/Cm <sup>2</sup>	24 Kg/Cm <sup>2</sup>
• Seat	10 Kg/Cm <sup>2</sup>	16 Kg/Cm <sup>2</sup>
<b>Accessories Range</b>	Gear / Electric Motor Actuator 50 mm NB to 500 mm NB	

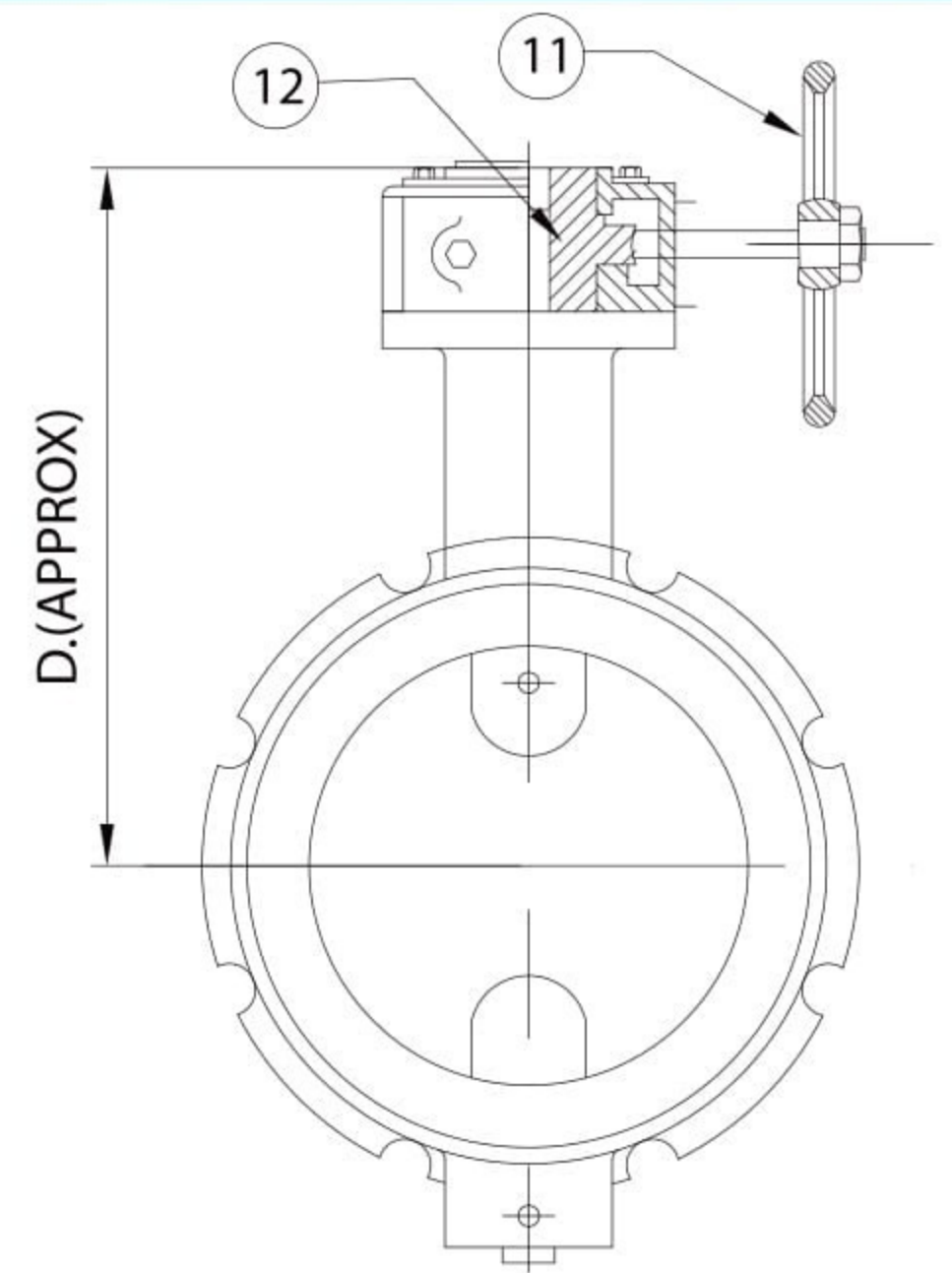
**Part Name:**

1. Body
2. Disc
3. Drive Shaft
4. Stub Shaft
5. Shaft Bearing ( Bush)
6. Body Seat
7. Shaft Seal' O ' Ring
8. Disc Screw
9. Indicating Plate
10. Lever
11. Hand Wheel
12. Worm Gear (1/4 Turn)



SKETCH FOR UP TO 150 NB

(LEVER OPERATED)



SKETCH FOR 200 NB & ABOVE

(GEAR OPERATED)

- Note**
- Description given is generalized, may vary as per requirement.
  - Specifications given above are subject to change as per revisions in standards without notice.
  - Quotations are based on customer's requirement and data. Customers are requested to send specific requirement for an offer.
  - All sizes in millimeter

**H. Sarker & Company Valves (P) Ltd.**

**Works:** Phone: +91 33 2653 1214 / 0061 • eMail: hsblt09@gmail.com

**Regd. Office:** Ajit Sen Bhawan, 13 Crooked Lane, 2nd Floor, Kolkatta 700 069.

Phone: 033-22109163

